



PIR Detectors

ITV-P-KC7783R

PIR Sensor Module Low Cost Version



Description

This PIR module is designed for human body detection. It is suitable for cost effective consumer products.

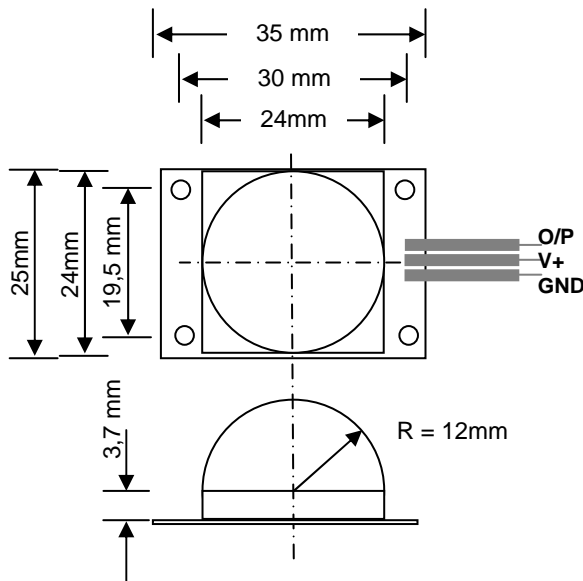
- Easy connection via 3 leads flat cable
- Special output duration can be requested
- Wide range of operation voltage
- High RFI immunity
- High sensitivity
- Minimum output pulse can be customer specified
- IC soft package by dice bonding technique

Minimum output pulse can be customer specified.

Features

detection angle	horizontal: 60°	vertical: 60°
detection range	5 m	
sensor	RE200B (NICERA) dual element	
controller	KC778B (COMedia)	
use	<input checked="" type="checkbox"/> indoor	<input type="checkbox"/> outdoor
daylight adjust.	<input type="checkbox"/> yes	<input checked="" type="checkbox"/> no
output signal	<input checked="" type="checkbox"/> digital (high)	<input type="checkbox"/> analog (+)
	<input type="checkbox"/> digital (low)	<input type="checkbox"/> analog (-)
power up delay	<input checked="" type="checkbox"/> yes: 24 Sec.	<input type="checkbox"/> no
lense included	<input checked="" type="checkbox"/> yes (fresnel)	<input type="checkbox"/> no

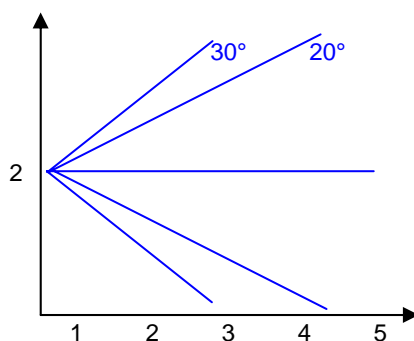
Mechanical Drawing



Operation Data

Value	min.	typ.	max.
operation current [mA]		n.n.	
standby current [mA]		0,3	
operation voltage [V]	4,7	5,0	12,0
output voltage high [V]		5,0	
output voltage (low) [V]	-	-	-
output duration [Sec]	0,5		
operation temperature [°C]	-20	20	50
humidity range [%]	0		95

Horizontal View Pattern



Vertical View Pattern

